

Kitchens by **HOME**BASE



A GUIDE TO Pre-Drilled Hole Positions 2150mm Appliance Units

PRE-DRILLED HOLE POSITIONS

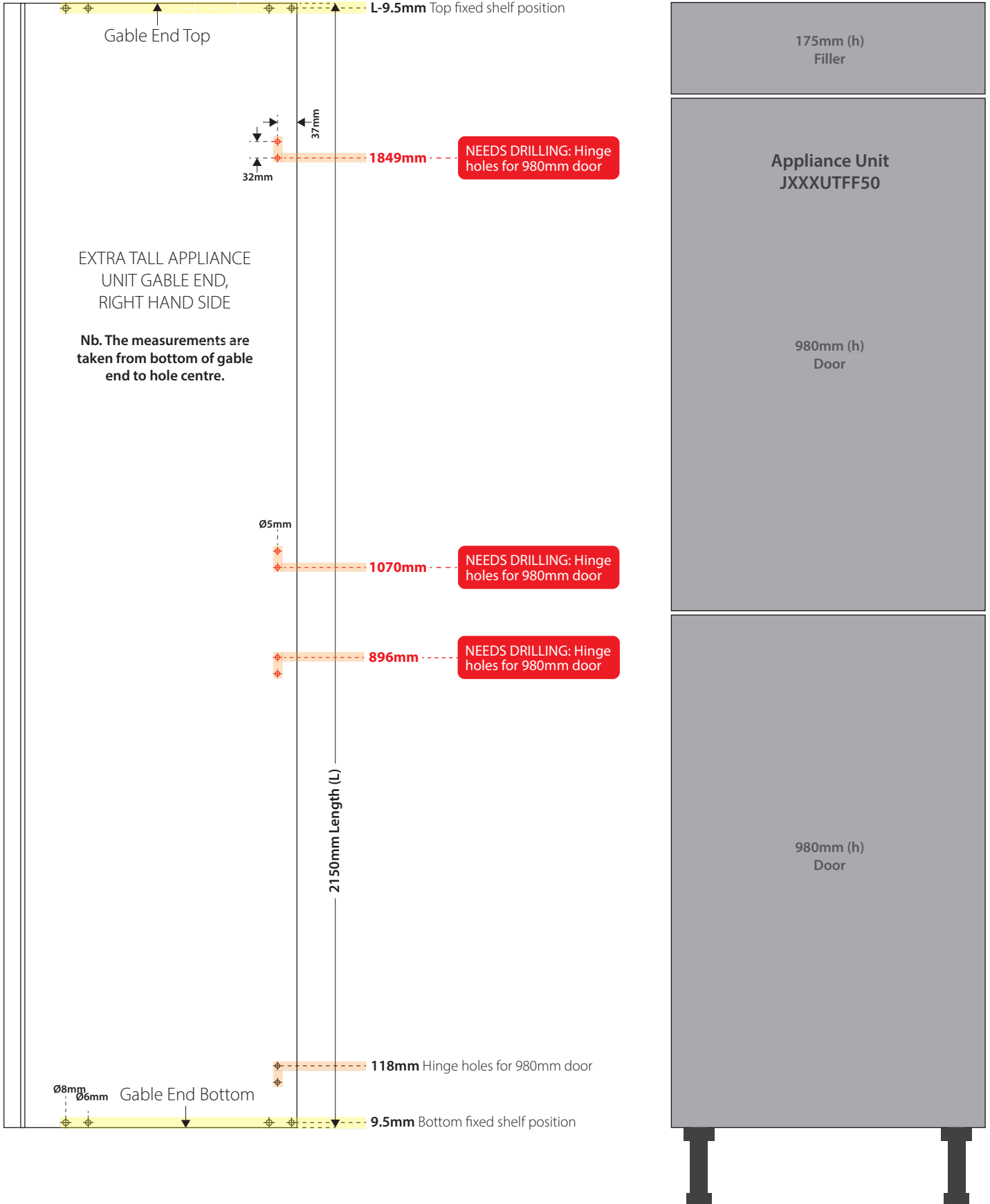
Appliance Unit: Extra Tall 50/50 Fridge/Freezer
Product Code: JXXXUTFF50

Nb. Additional holes needed for this configuration, please see below.

Hole positions key:

- Fixed shelves
- Hinges

PLEASE NOTE: This document is a guide only, please ensure the dimensions are correct and suitable prior to installation. Gable end is not reversible, understand required positions prior to constructions.



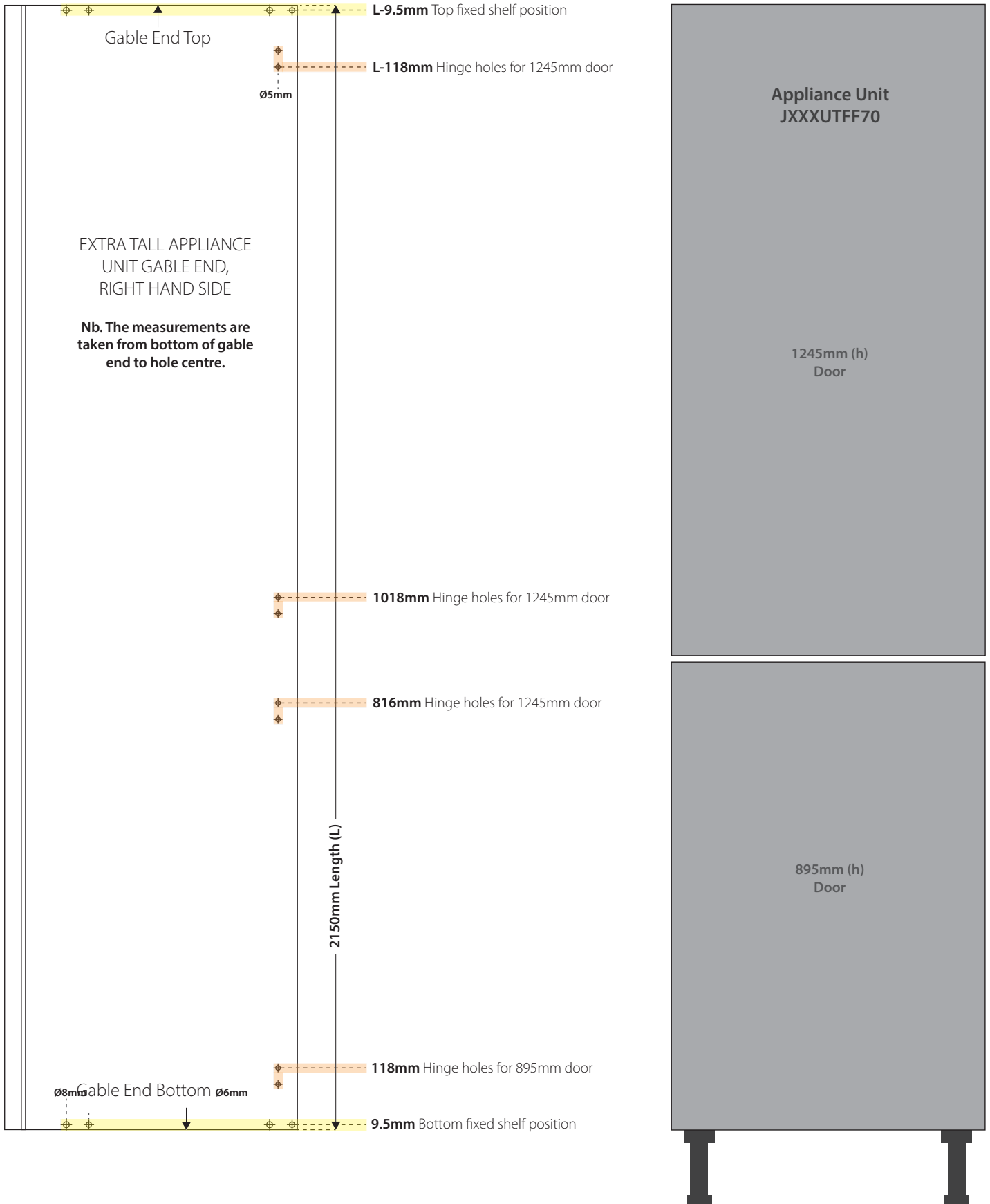
PRE-DRILLED HOLE POSITIONS

Appliance Unit: Extra Tall 70/30 Fridge/Freezer
Product Code: JXXXUTFF70

Hole positions key:

- Fixed shelves
- Hinges

PLEASE NOTE: This document is a guide only, please ensure the dimensions are correct and suitable prior to installation. Gable end is not reversible, understand required positions prior to constructions.



PRE-DRILLED HOLE POSITIONS

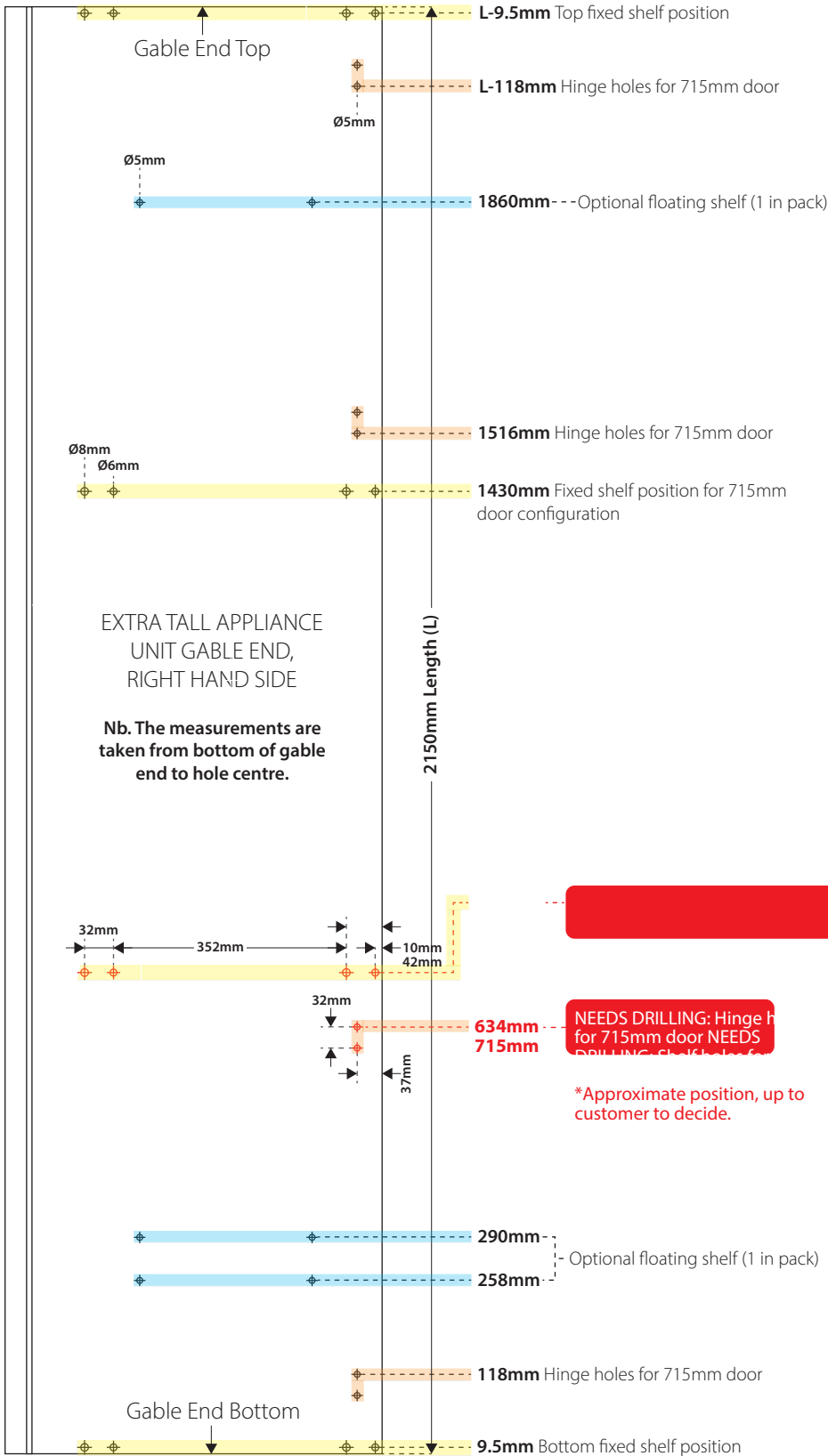
Appliance Unit: Extra Tall Single Oven
Product Code: JXXXUTTOVENA

Nb. Additional holes needed for this configuration, please see below.

Hole positions key:

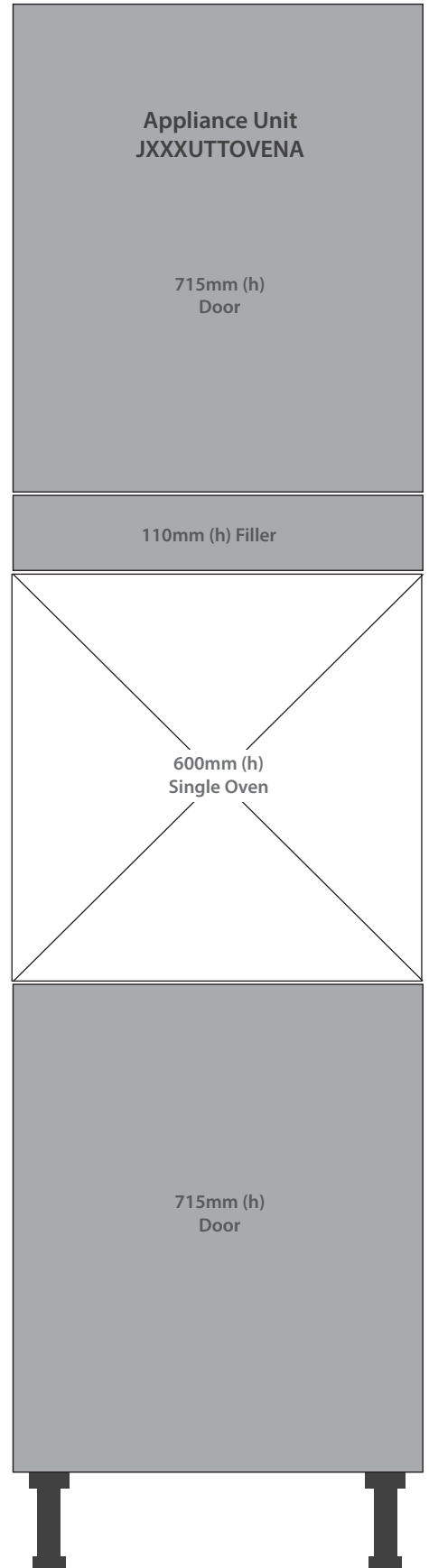
- Fixed shelves
- Hinges
- Floating shelves

PLEASE NOTE: This document is a guide only, please ensure the dimensions are correct and suitable prior to installation. Gable end is not reversible, understand required positions prior to constructions.



NEEDS DRILLING: Hinge hole for 715mm door NEEDS DRILLING: Shelf hole for 715mm door

*Approximate position, up to customer to decide.



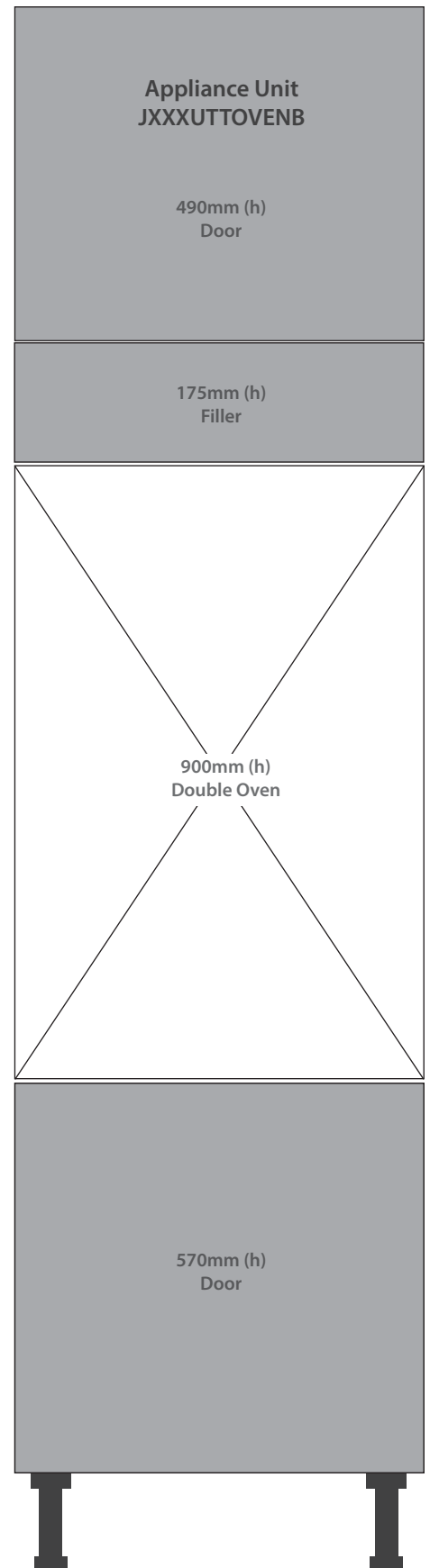
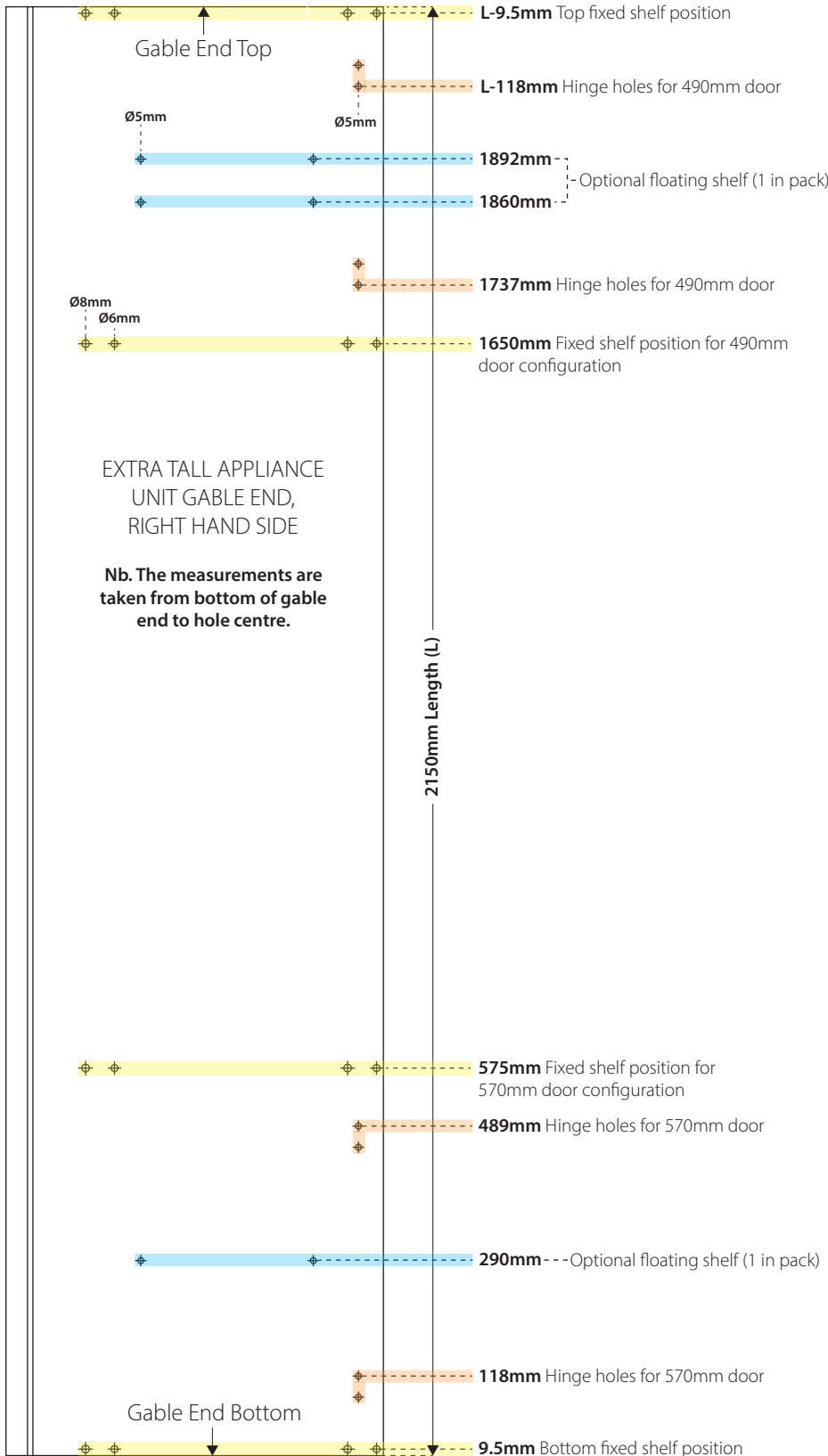
PRE-DRILLED HOLE POSITIONS

Appliance Unit: Extra Tall Double Oven
Product Code: JXXXUTTOVENB

Hole positions key:

- Fixed shelves
- Hinges
- Floating shelves

PLEASE NOTE: This document is a guide only, please ensure the dimensions are correct and suitable prior to installation. Gabel end is not reversible, understand required positions prior to constructions.



PRE-DRILLED HOLE POSITIONS

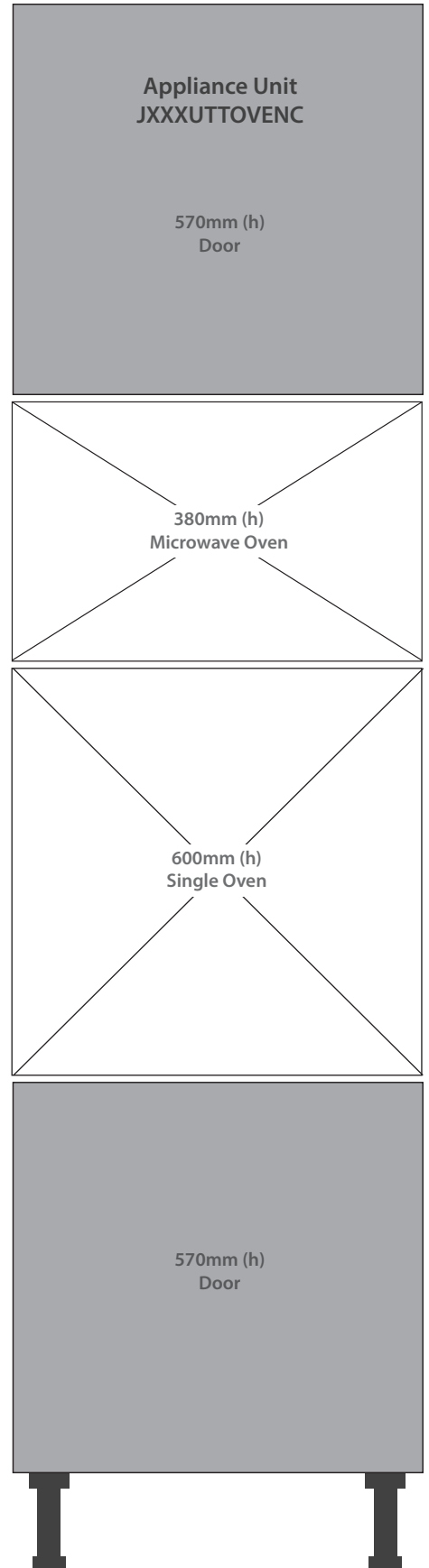
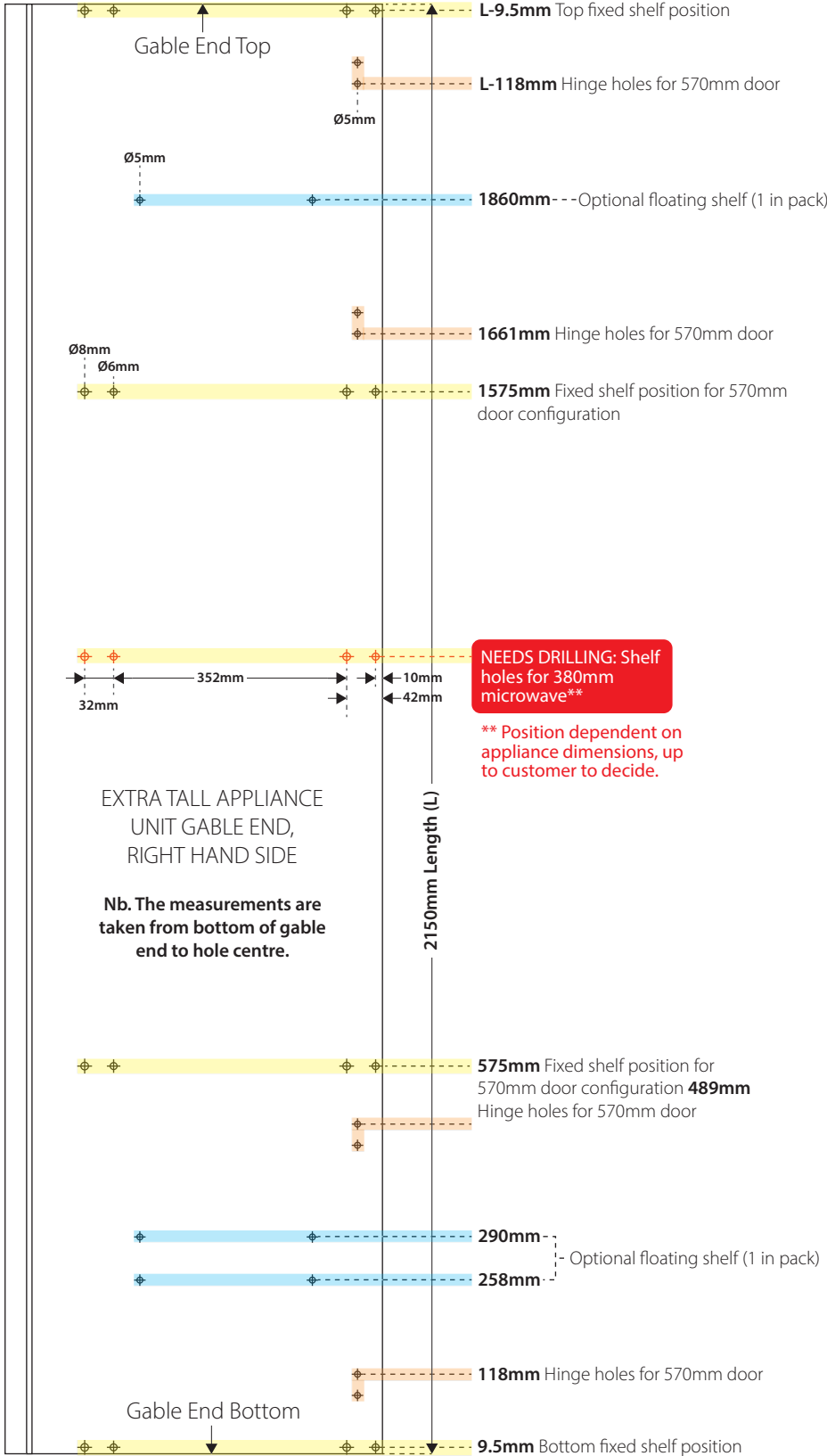
Appliance Unit: Extra Tall Single Oven + 380 Microwave
Product Code: JXXXUTTOVENC

Nb. Additional holes needed for this configuration, please see below.

Hole positions key:

- Fixed shelves
- Hinges
- Floating shelves

PLEASE NOTE: This document is a guide only, please ensure the dimensions are correct and suitable prior to installation. Gabel end is not reversible, understand required positions prior to constructions.



PRE-DRILLED HOLE POSITIONS

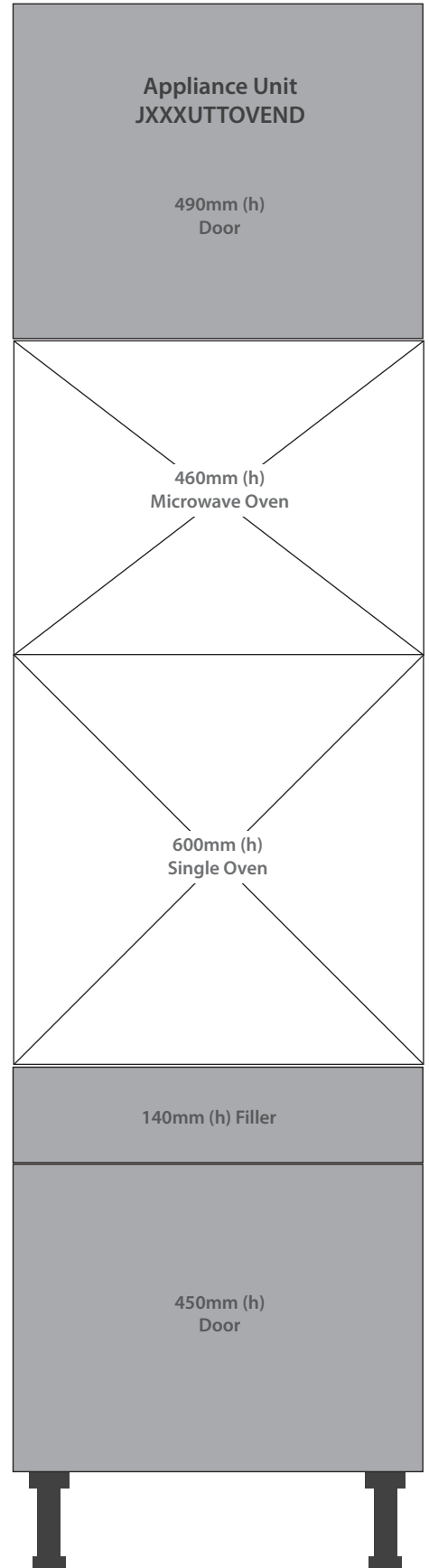
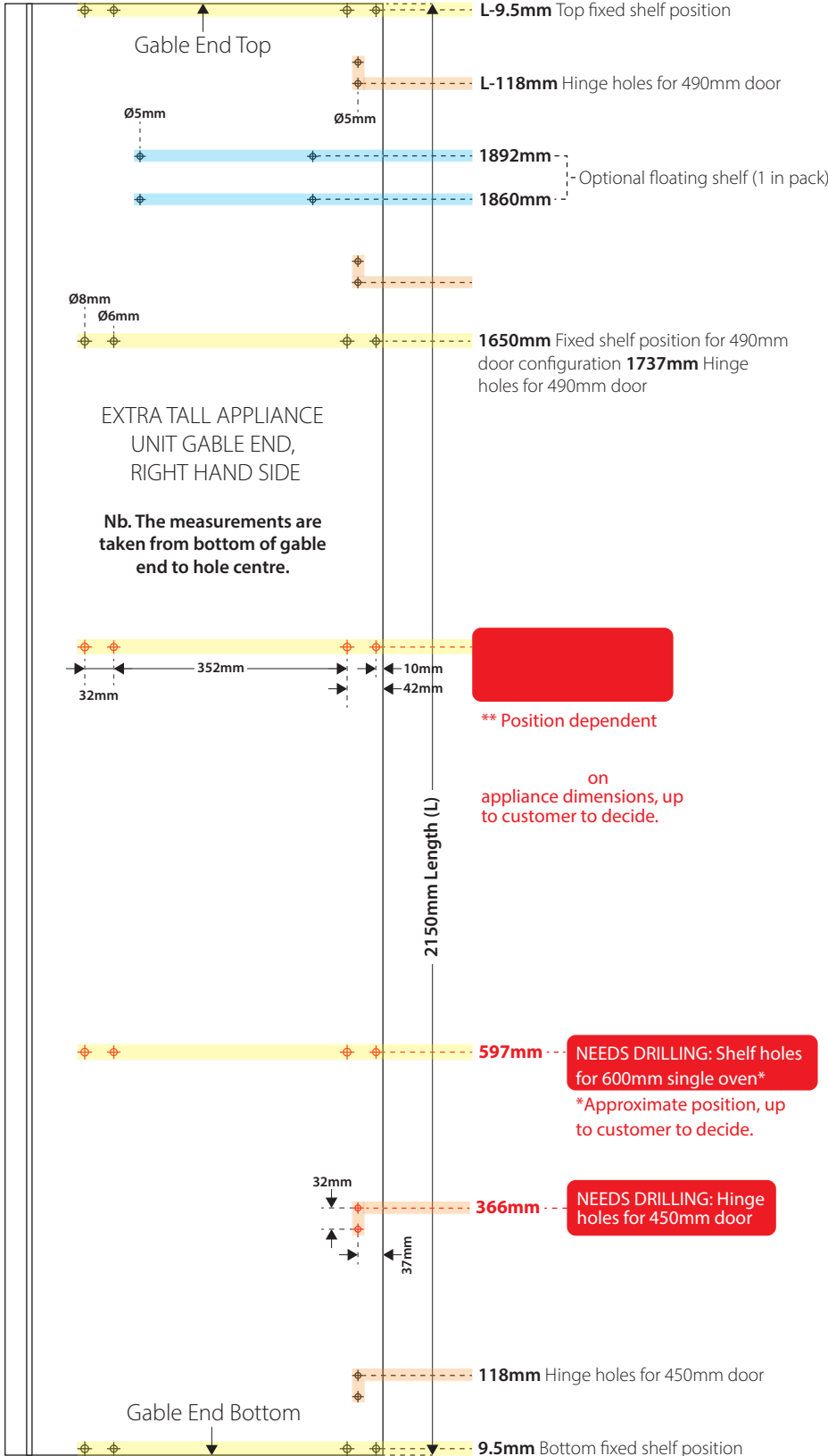
Appliance Unit: Extra Tall Single Oven + 460 Microwave
Product Code: JXXXUTTOVEND

Nb. Additional holes needed for this configuration, please see below.

Hole positions key:

- Fixed shelves
- Hinges
- Floating shelves

PLEASE NOTE: This document is a guide only, please ensure the dimensions are correct and suitable prior to installation. Gable end is not reversible, understand required positions prior to constructions.



PRE-DRILLED HOLE POSITIONS

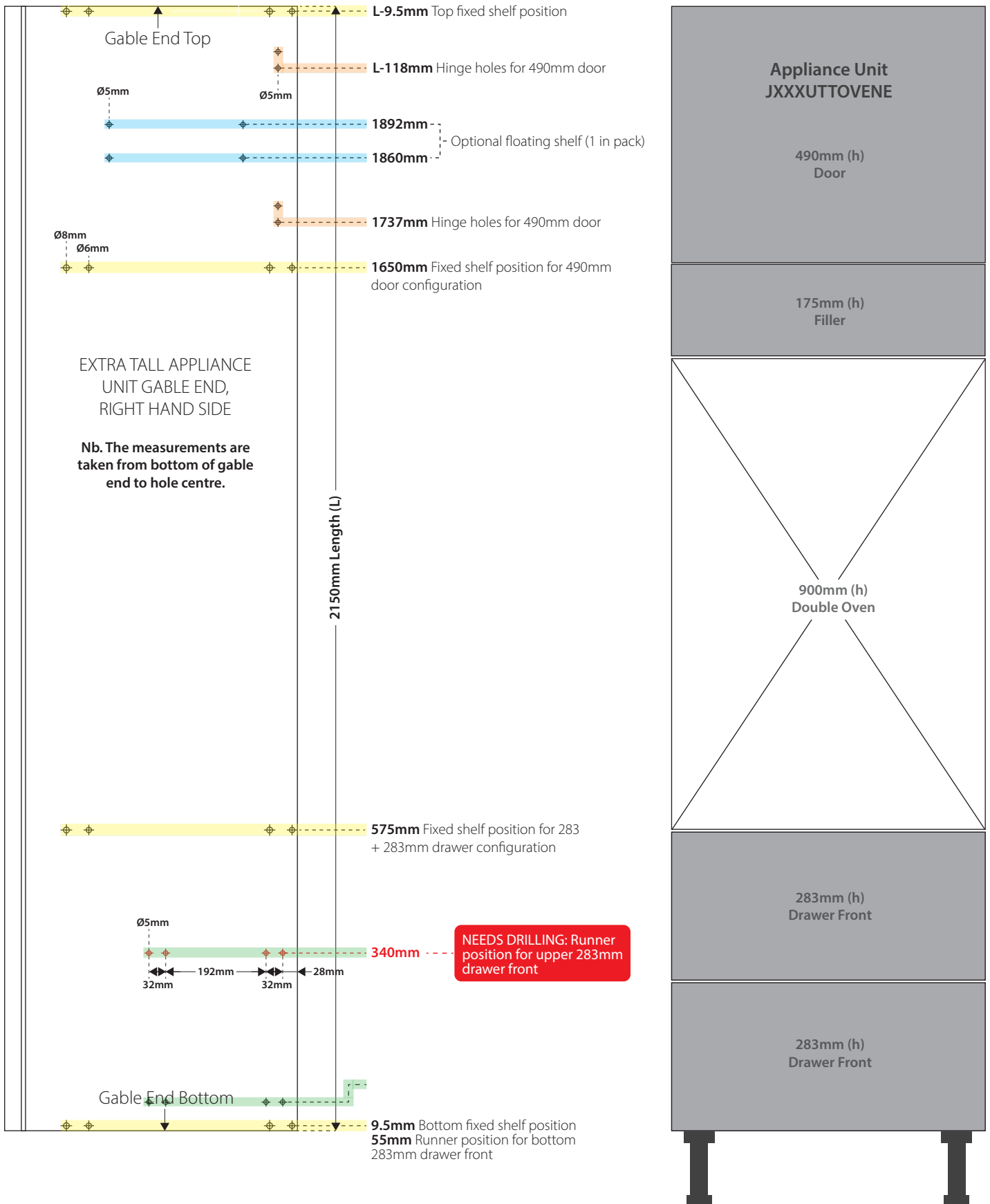
Appliance Unit: Extra Tall Double Oven with 283mm Drawers x 2
Product Code: JXXXUTTOVENE

Nb. Additional holes needed for this configuration, please see below.

Hole positions key:

- Fixed shelves
- Drawer runners
- Hinges
- Floating shelves

PLEASE NOTE: This document is a guide only, please ensure the dimensions are correct and suitable prior to installation.
 Gable end is not reversible, understand required positions prior to constructions.



PRE-DRILLED HOLE POSITIONS

Appliance Unit: Extra Tall Single Oven with 355mm Drawers x 2
Product Code: JXXXUTTOVENF

Nb. Additional holes needed for this configuration, please see below.

Hole positions key:

- Fixed shelves
- Drawer runners
- Hinges
- Floating shelves

PLEASE NOTE: This document is a guide only, please ensure the dimensions are correct and suitable prior to installation. Gabel end is not reversible, understand required positions prior to constructions.

